

Installation Instructions

.....

3100/4100 Series

Vernier Adjustable Locking Control Cables

R38LL5-Series

Mid-Latch, Plain End Control Cables

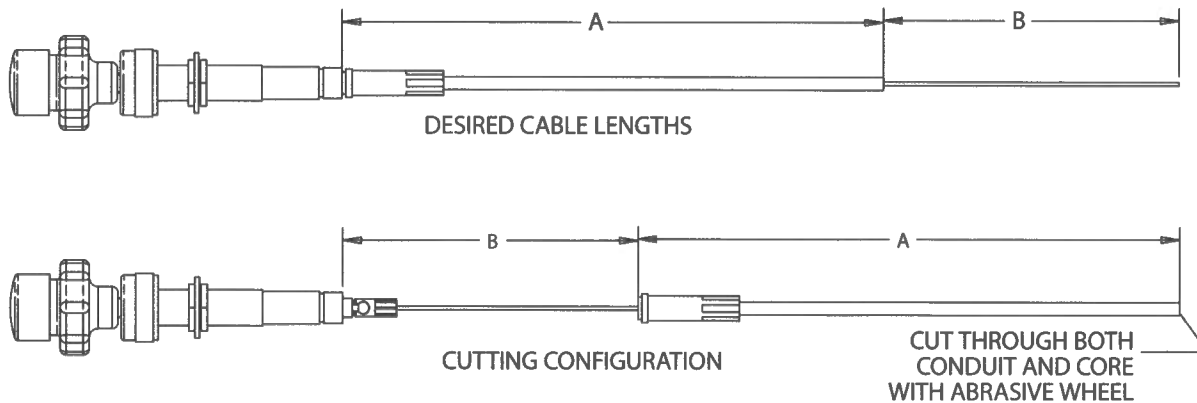
Cutting Instructions

1. Determine the length of the cable conduit (A) and the length of exposed core wire (B) required for your application.
2. With the control head in its fully compressed position hook the spherical end into the socket of the core wire.
3. Pull the control head away from the conduit fitting until the end of the threaded portion is the same distance from the conduit fitting as the amount of exposed core wire required (B).

4. Cut the conduit and core wire at conduit length (A) required with an abrasive wheel. When the head is assembled to the conduit fitting the amount of exposed wire will be correct.

Assembly Instructions

1. Place O-ring on the end of the conduit fitting.
2. Hook spherical end of the control head into socket on the end of the cable core.
3. Hold the O-ring in the notch on the conduit fitting and press against the control head. Tighten nut.



Continued on back

Installation Instructions

1. Drill a hole in the control panel or dash board where you would like to mount the cable. Make sure the control panel or dash board is rigid and strong in the mounting location.

CAUTION

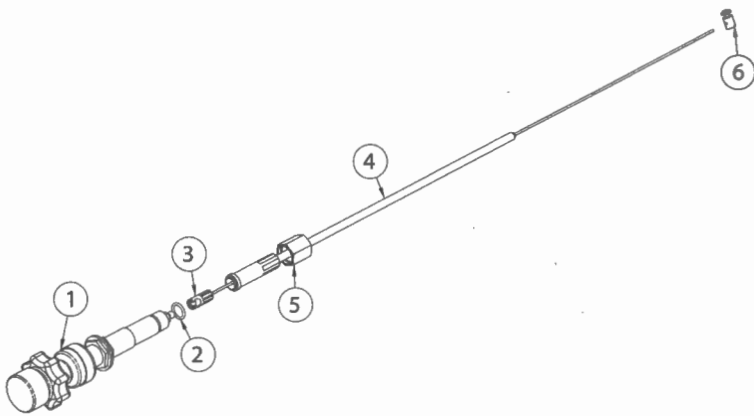
Be extremely careful not to drill into any existing wires or components behind the control panel or dash board.

2. Thread cable through the hole and route it to the throttle control linkage. Tighten nuts against each side of the mounting surface. Tie cable away from any moving or hot parts.
3. The end of the cable conduit must be mounted near the controlled linkage to work properly. You may use a conduit clamp or bulkhead fitting to hold the conduit.
4. Attach cable core to controlled linkage.

Cable Routing Notes

- A. Make sure that the cable is not bent smaller than a 6" radius. The cable should be as straight as possible to minimize the force required to pull the cable.
- B. Make sure to route the cable away from hot components like the engine block or exhaust pipes. The recommended temperature range for the cable is -65° to +215° Fahrenheit.

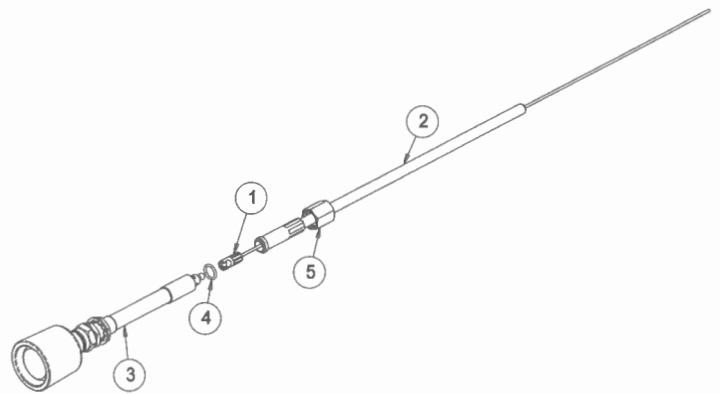
3100/4100 Series Vernier Adjustable Locking Control Cables



3100/4100 Series Bill of Materials

ITEM	PART NO.	QTY.	DESCRIPTION
1	VGCTHO	1	Head, Cable, Vernier Adj. Locking Control
2	4063211	1	O-Ring
3	-	1	Core Wire Assembly
4	-	1	Conduit Assembly
5	VCGTN1	1	Nut, Vernier Cable
6	516	1	Throttle Stop, Barrel

R38LL5 Series Mid-Latch, Plain End Control Cables



R38LL5 Series Bill of Materials

ITEM	PART NO.	QTY.	DESCRIPTION
1	-	1	Core Wire Assembly, R38LL5X Cables
2	-	1	Conduit Assembly, R38LL5X Cables
3	R38LL	1	Handle, Latch Lock assembly, Wh Zn Coat
4	4063211	1	O-Ring, .438 ID x .078 Dia
5	VCGTN1	1	Nut, Vernier Cables, Cable to head